



SLO-0615

6.4" Open Frame Monitor, LED Backlight 1000nits,VGA

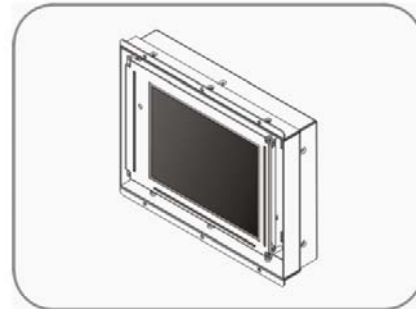
SLO-0615 open frame LCD display, built-in 1000 nits high brightness for sunlight readable application. Features wide operating temperature, high brightness, AOT optical bonding, touch screen capable, and customized mechanical design; fulfill the demand for extreme environments. It offers the best visibility, performance and cost effective value. The high level of brightness together with fast response time and LED backlight technology, the monitor brings remarkable display quality. And guaranteeing product life cycle longevity, stability, and reliability. Perfectly suitable for kiosk, ATM, POS, marine, military, medical, transportation, and outdoor industrial application.

Key Features

- Sunlight Readable
- LED Backlight
- High Shock & Vibration Resistance
- Low Power Consumption
- Wide Temperature. Range (-20°C~60°C)
- High Uniformity (90%)
- Touch Screen (Optional)
- VESA mounting 70/100

Applications

Marline, Military,
Medical, Transportation
Industrial



Specifications

Preliminary

Model No.	SLO-0615
Description	6.4" Open Frame Monitor, LED Backlight 1000nits,VGA
Display Area (mm)	129.6 x 97.4 mm
Brightness	1,000 cd/m ²
Resolution	640 x480 (VGA)
Contrast Ratio	400 : 1
Pixel Pitch (mm)	0.2025(H) x 0.203(V)
Viewing Angle	120°(H), 95°(V)
Display Colors	262K colors
Response Time (Typical)	40ms (Typical)
Power Input	DC 12V
Power Consumption	16W
Dimensions (mm)	200x165x47
Weight (Net)	1.34kg
Control Board (Optional)	<input type="checkbox"/> AD5621GA <input type="checkbox"/> AD5621GD <input type="checkbox"/> AD2662GDVAR
<input type="checkbox"/> AD5621GA	VGA + Audio
<input type="checkbox"/> AD5621GD	VGA+DVI
<input type="checkbox"/> AD2662GDVAR	VGA+DVI (Optional S-Video/ Component / Audio)
F / R Control Button	<input type="checkbox"/> 5 Key <input type="checkbox"/> 4 Key
<input type="checkbox"/> 5 Key	Power Switch, Menu, Select (+,-), Auto
<input type="checkbox"/> 4 Key	Power Switch, Menu, Select (+,-),
OSD Menu	Brightness, Contrast, H/V Position, Color, Phase, Clock...
Optional	<input type="checkbox"/> AOT <input type="checkbox"/> Touch Screen <input type="checkbox"/> Waterproof

Specifications are subject to change without notice.

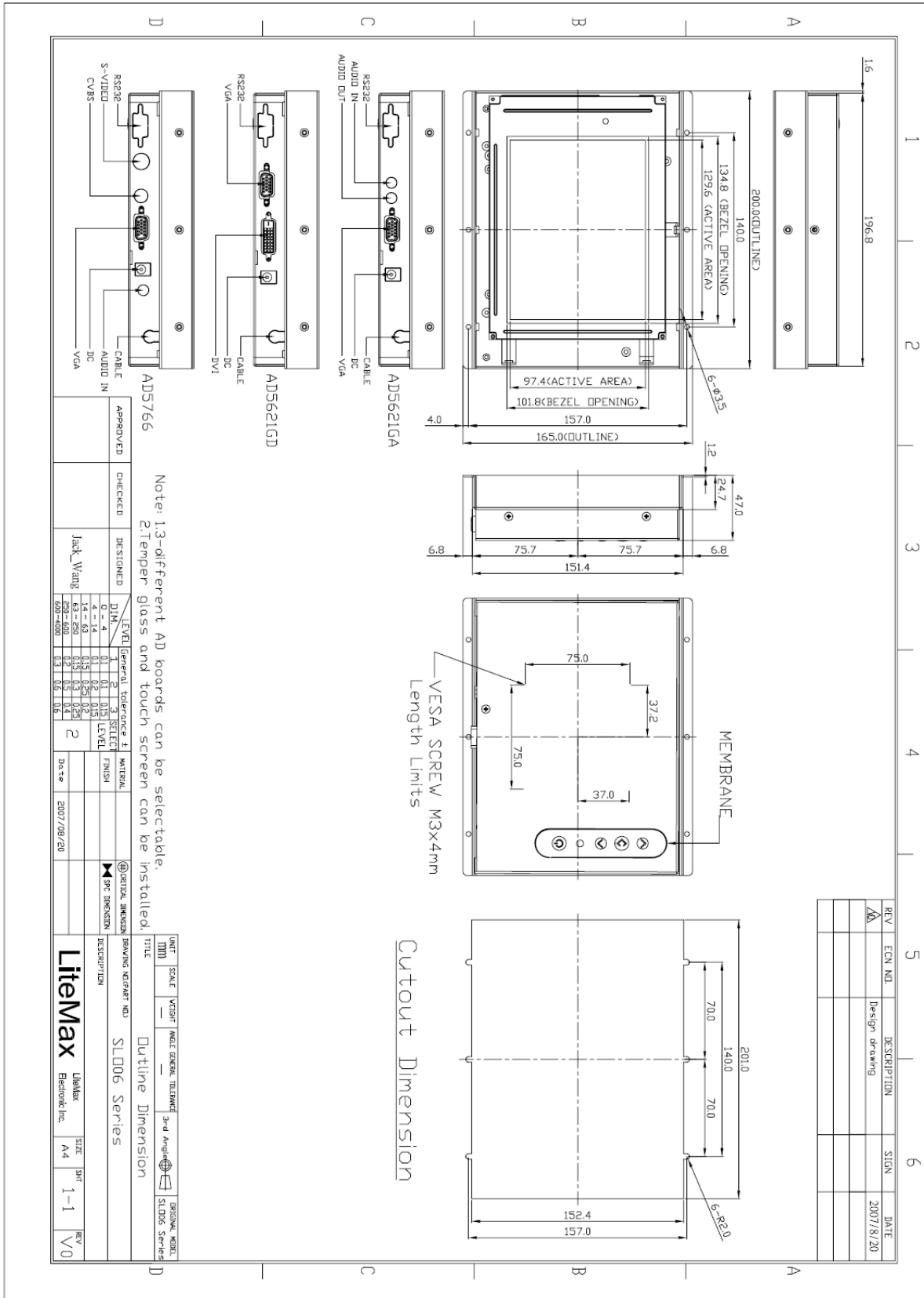
All brands or product names are trademarks or registered trademarks of their respective companies.



Mechanical Drawing

Outline Dimensions

Unit:mm



Note: 1.3-different AD boards can be selectable.
 2.Temper glass and touch screen can be installed.

APPROVED	CHECKED	DESIGNED	DATE
AD5766		Jack Wang	2007/08/20

UNIT	SCALE	WEIGHT	INSTRUMENT	TOLERANCE	3rd ANGLE	ORIGINAL MODEL
MM	1:1					

TITLE	DESCRIPTION	DATE
Outline Dimension	SILD06 Series	2007/8/20

REV	DATE	BY	CHK
1-1			

REV	ECN NO.	DESCRIPTION	SIGN	DATE
1		Design drawing		2007/8/20



Ordering Information

Part Number	Description

Optional Accessories

Part Number	Description