



SLO 1055

10.4" Open Frame LCD Display, LED Backlight 800nits,XGA

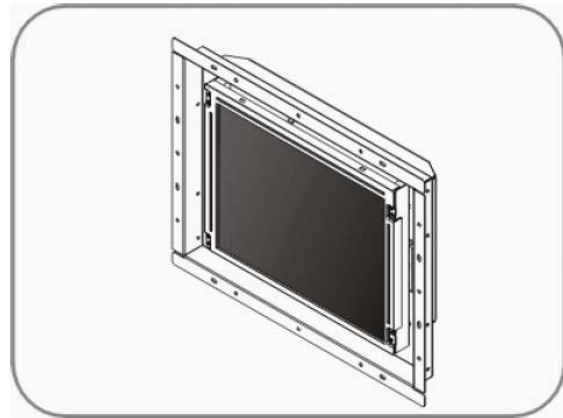
SLO 1055 open frame LCD display, built-in 800 nits high brightness for sunlight readable application. Features wide operating temperature, high brightness, AOT optical bonding, touch screen capable, and customized mechanical design; fulfill the demand for extreme environments. It offers the best visibility, performance and cost effective value. The high level of brightness together with fast response time and LED backlight technology, the monitor brings remarkable display quality. And guaranteeing product life cycle longevity, stability, and reliability. Perfectly suitable for kiosk, ATM, POS, marine, military, medical, transportation, and outdoor industrial application.

Key Features

- Sunlight Readable
- LED Backlight
- High Shock & Vibration Resistance
- Low Power Consumption
- Wide Temperature. Range (-20°C~60°C)
- High Uniformity (90%)
- Low EMI Noise
- Wide Dimming
- Life Expectancy (70,000hrs)

Applications

Marine, Military,
Medical, Transportation
Industrial



Specifications

V1

Model No.	SLO1055
Description	10.4" Open Frame LCD Display, LED Backlight 800 nits, XGA
Display Area (mm)	210.4 x 157.8 mm
Brightness	800 cd/m ²
Resolution	1024 x 768 (XGA)
Contrast Ratio	1200 : 1
Pixel Pitch (mm)	0.0685(H) x 0.2055(V)
Viewing Angle	+88°~-88°(H), +88°~-88°(V)
Display Colors	16.2M
Response Time (Typical)	40ms (Typical)
Power Input	DC-12V
Power Consumption	21.2W
Dimensions (mm)	324x254x50
Weight (Net)	2.2kg
Control Board (Optional)	<input type="checkbox"/> AD5621GA <input type="checkbox"/> AD5621GD <input type="checkbox"/> AD5766GDVA <input type="checkbox"/> AD2662GDVAR
<input type="checkbox"/> AD5621GA	VGA+Audio
<input type="checkbox"/> AD5621GD	VGA+DVI
<input type="checkbox"/> AD5766GDVA	VGA+CVBS+S-Video+Audio (Optional DVI / Component)
<input type="checkbox"/> AD2662GDVAR	VGA+DVI (Optional S-Video/ Component / Audio)
F / R Control Button	<input type="checkbox"/> 5 Key <input type="checkbox"/> 4 Key
<input type="checkbox"/> 5 Key	Power Switch, Menu, Select (+,-), Auto
<input type="checkbox"/> 4 Key	Power Switch, Menu, Select (+,-),
OSD Menu	Brightness, Contrast, H/V Position, Color, Phase, Clock...
Optional	<input type="checkbox"/> AOT <input type="checkbox"/> Touch Screen <input type="checkbox"/> Waterproof

Specifications are subject to change without notice.

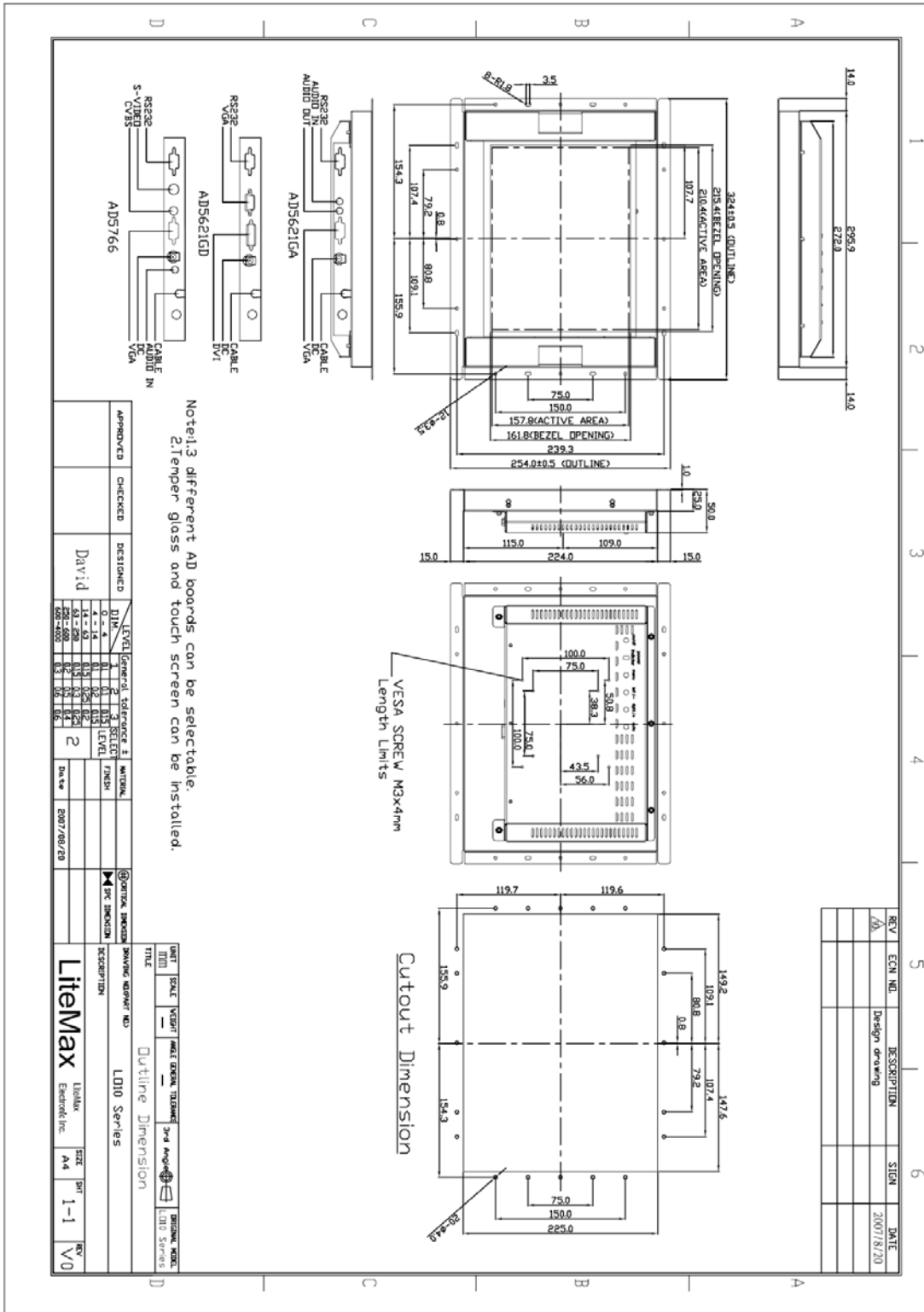
All brands or product names are trademarks or registered trademarks of their respective companies.



Mechanical Drawing

Outline Dimensions

Unit:mm





Ordering Information

Part Number	Description
SLO1055-ENBL-A01	10.4",800nits,XGA,AD5621G.O/B,VGA Cable,L/S,V01

Optional Accessories

Part Number	Description
840612051100	ADAPTER.12V.5A.60W.EA1050A,P
810618301010	CABLE.POWER.AC.1830mm USA type
810618301090	CABLE,POWER,AC,1830mm Europe type
810618301050	CABLE.POWER.AC.1830mm UK type
810618301170	CABLE.POWER,AC,1830mm Australia type
<u>810618301030</u>	CABLE.POWER.AC.1830mm Japan type