



## SLO2425

### 24" TFT LCD, Wide Viewing Angle, LED Backlight 1000nits,FHD(1920x1080)

24" TFT LCD panel, built-in 1000 nits high bright for sunlight readable LCD display, high transmittance color filter, high transmission polarizing plates, Low Power Consumption, suitable for kiosk, advertising, POS, marine, transportation, gaming, studio display, gas pump.

#### Key Features

- Sunlight Readable
- LED Backlight
- FHD(1920x1080) High Definition
- High Shock & Vibration Resistance
- Low Power Consumption
- Wide Viewing Angle
- High Uniformity
- Low EMI Noise
- Wide Dimming
- Life Expectancy



## Specifications

V1

<b>Model No.</b>	SLO2425
<b>Description</b>	24" TFT LCD, LED Backlight 1000nits,FHD(1920x1080)
<b>Display Area (mm)</b>	531.36 x 298.89 mm
<b>Brightness</b>	1000 cd/m <sup>2</sup>
<b>Resolution</b>	1920x1080 (FHD)
<b>Contrast Ratio</b>	5000 : 1
<b>Pixel Pitch (mm)</b>	0.276(H) x 0.276(V)
<b>Viewing Angle</b>	+89°~-89°(H), +89°~-89°(V)
<b>Display Colors</b>	16.7M
<b>Response Time (Typical)</b>	25ms
<b>Sync</b>	LVDS
<b>Power Consumption</b>	38W
<b>Dimensions (mm)</b>	586.4(W)x325.6(H)x36.5(D)
<b>Weight (Net)</b>	4.2Kg
<b>LED Driving Board</b>	LID24A
<b>Control Board (Optional)</b>	<input type="checkbox"/> AD2662GD <input type="checkbox"/> AD2662GDVAR
<input type="checkbox"/> AD2662GD	VGA+DVI
<input type="checkbox"/> AD2662GDVAR	VGA+DVI (Optional S-Video/ Component / Audio)
<b>F / R Control Button</b>	<input type="checkbox"/> 4 Key
<input type="checkbox"/> 4 Key	Power Switch, Menu, Select (+,-),
<b>OSD Menu</b>	Brightness, Contrast, H/V Position, Color, Phase, Clock...
<b>Optional</b>	<input type="checkbox"/> AOT <input type="checkbox"/> Touch Screen

Specifications are subject to change without notice.

All brands or product names are trademarks or registered trademarks of their respective companies.

**SLO**= Panel+LED Driving Board+Control Board

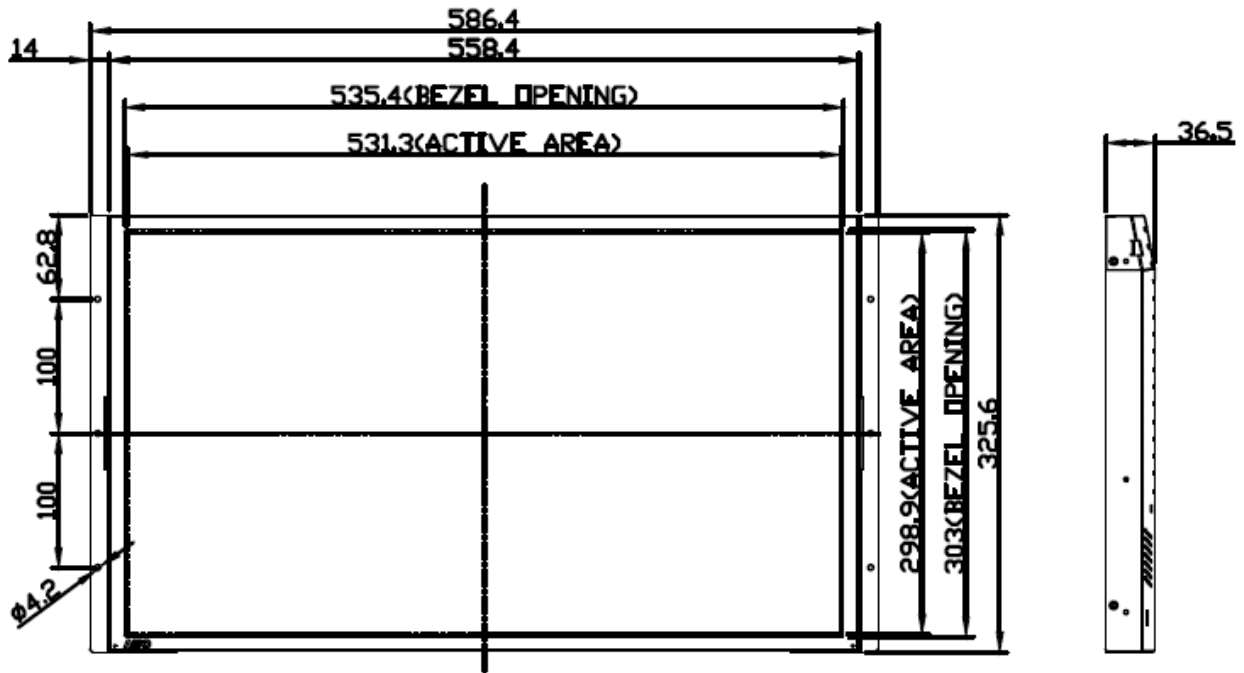


## Mechanical Drawing

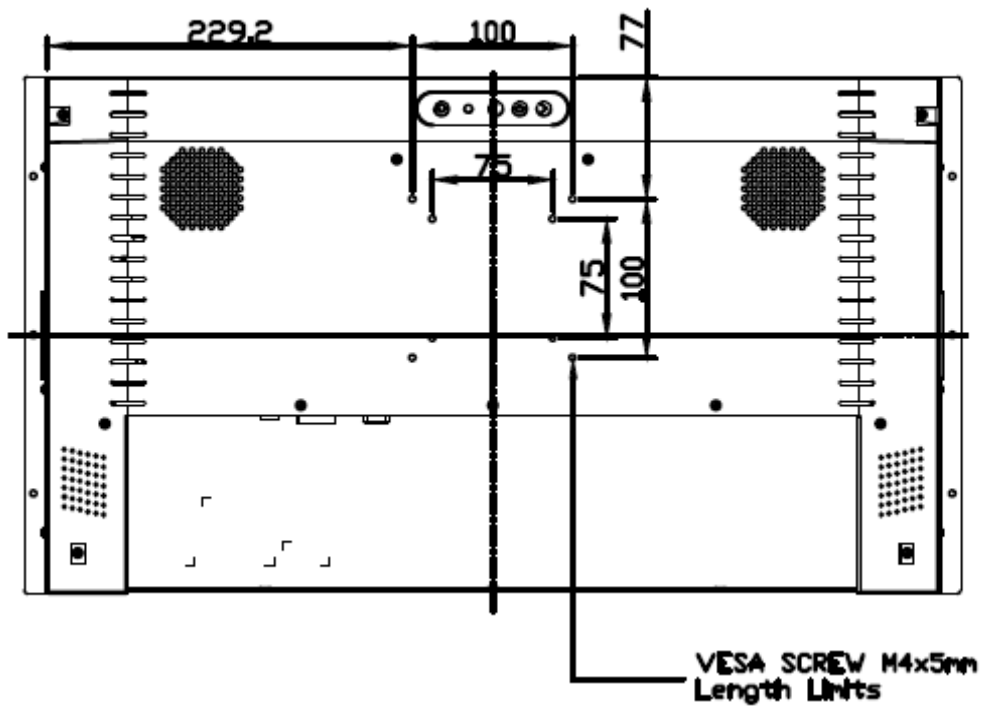
### Outline Dimensions

Unit:mm

#### Front View

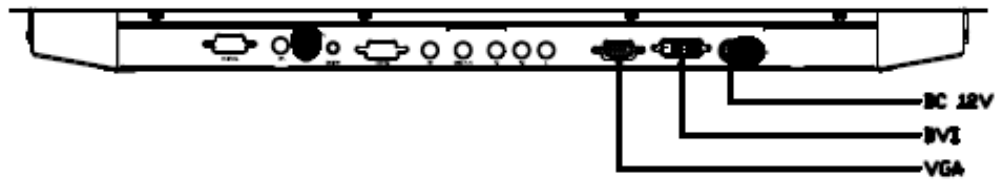


#### Rear View

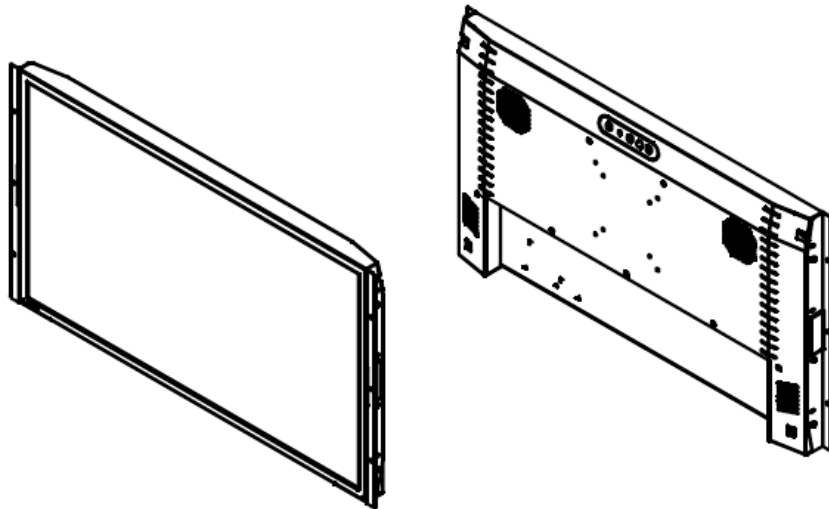




## Bottom View



## Real View



### Ordering Information

Part Number	Description
<b>SLO2425-ENB-G01</b>	24", 1000nits, FHD, LID24A02, AD2662GD,O/B,DC12V input, V01

### Optional Accessories

Part Number	Description
<b>840612051210</b>	ADAPTER,AC/DC,12V/5.4A,65W,Atech OEM A065112-TDx,4P SLIDING CAP,P,
<b>810618301010</b>	CABLE.POWER.AC.1830mm USA type
<b>810618301090</b>	CABLE,POWER,AC,1830mm Europe type
<b>810618301050</b>	CABLE.POWER.AC.1830mm UK type
<b>810618301170</b>	CABLE.POWER,AC,1830mm Australia type
<b>810618301030</b>	CABLE.POWER.AC.1830mm Japan type