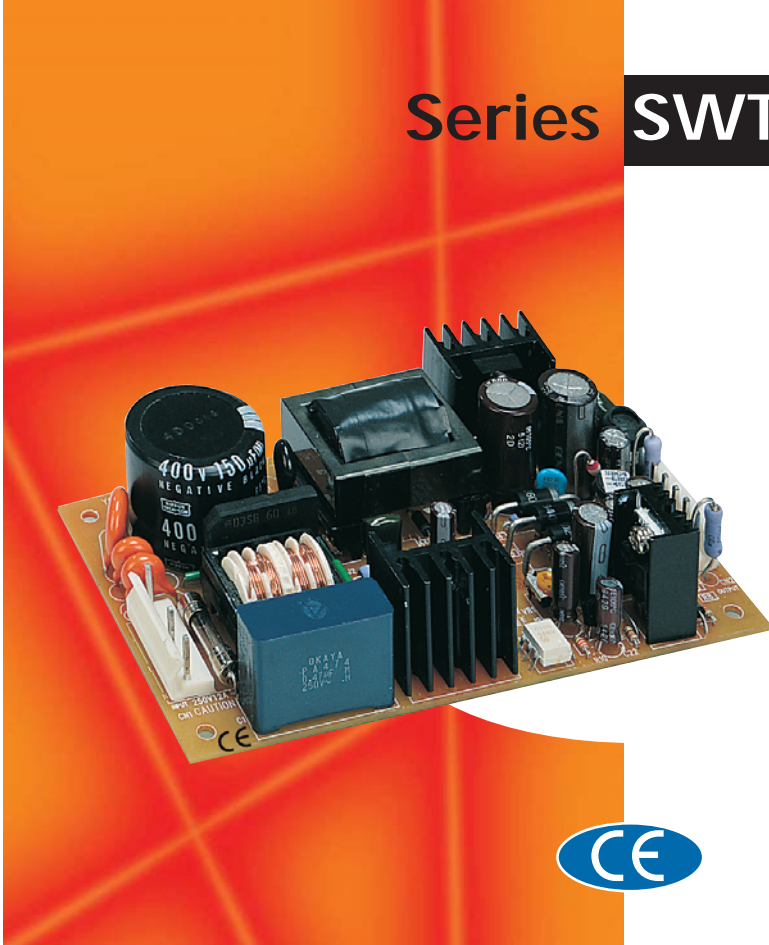


# Series SWT



# 30-100

**WATTS**

**POWER SUPPLY AC/DC**

**TRIPLE OUTPUT**

**PCB Format**

**Very low cost**

**Universal input  
85-265 VAC**

**EMI:  
conforms to EN 55022 class B (conducted)**

**Fully regulated outputs**

**Compact**

**Pluggable connector**

**Guarantee 1 year**

## INPUT

Input voltage range (SWT30, 40 & 100) 85-	85-265VAC Universal input
	132/170-265VAC auto selectable (SWT65)
Frequency	47-63Hz
Input current (at 200VAC)	0.45A     SWT30 0.55A     SWT40 0.86A     SWT65 1.3A        SWT100
Input protection	fuse

## OUTPUT

Power (convection cooled)	30 to 100W
Output adjustable	± 5% output one
Line regulation	± 1% on all models
Regulation in charge	± 1% output one ± 2% output 2 and 3
Ripple and noise (value peak to peak)	on the 5V            100mV on the 12V and the 15V 150mV
Temperature coefficient	0.02% / °C on output 1 0.04% / °C on outputs 2 and 3
Over current protection	current limit
Over voltage protection	output 1 only

## GENERAL

Efficiency	70 to 74% model dependent
MTBF	consult Technical Sales
Isolation voltage :	
Input-output	3kV 1 minute
Input-ground	1.5kV 1 minute
Output-ground	500V 1 minute
Guarantee	1 year

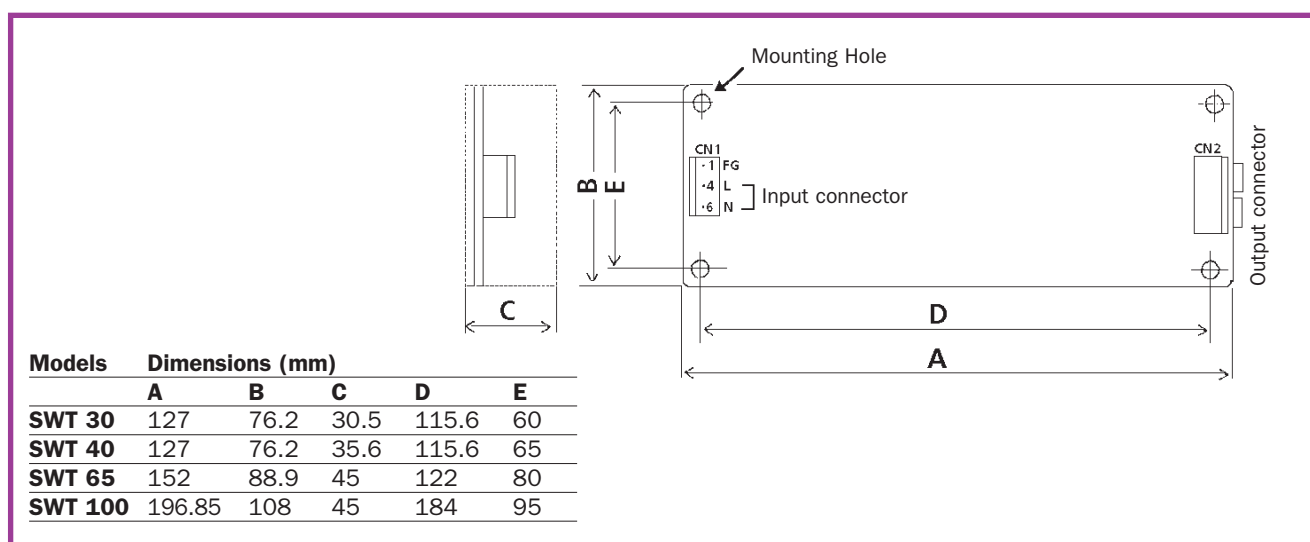
## ENVIRONMENTAL

Operating temperature	0°C to + 60°C
Derating	100% (0-50°C) 50°C-60°C derate by 30%
Storage temperature	- 20°C to + 85°C
Relative humidity :	
operating	30% to 90% RH
storage	10% to 95%
Shock	20G
Vibration	2G
EMI	conforms to EN55022 B, FCC-B (conducted)

## TABLE OF MODELS

Model	Power Watts	Output N°1		Output N°2		Output N°3	
		Volts	Amp.	Volts	Amp.	Volts	Amp.
SWT 30 522	31.6	5	2	12	1.5	- 12	0.3
SWT 30 5FF	32.4	5	2	15	1.2	- 15	0.3
SWT 30 525	29.5	5	2	12	1.5	- 5	0.3
SWT 40 522	42.6	5	3	12	2	- 12	0.3
SWT 40 5FF	42	5	3	15	1.5	- 15	0.3
SWT 40 525	40.5	5	3	12	2	- 5	0.3
SWT 65 522	66	5	6	12	2.5	- 12	0.5
SWT 65 5FF	67.5	5	6	15	2	- 15	0.5
SWT 65 525	62.5	5	6	12	2.5	- 5	0.5
SWT 100 522	105	5	8	12	4	- 12	0.8
SWT 100 5FF	105	5	8	15	3.2	- 15	0.8
SWT 100 525	98	5	8	12	4	- 5	0.8

## PHYSICAL SPECIFICATION



## CONNECTIONS

Input connector	JST type VHR-5N or Molex Series 5414
Output connector	JST type VHR-5N or Molex Series 5273 (SWT30, 40) JST type VHR-7N or Molex Series 5273 (SWT65, 100)
Type of case	PCB

