



IEC Distribution Units

Housed in tough ABS boxes and panels these IEC & EN60320 Distribution Units have combinations of four, five or six outlets together with neon indicator, fuse and switch options. The three sizes are available in various combinations and, other than the compact version, all have shuttered outlets. The larger enclosed versions are also available with EMI filtering.

Type		Page
IEC Distribution Box/Panel		
PXD301	5 Way Rectangular	100
PXD100	5 Way Rectangular	100
PXD303	5 Way Rectangular	100
PXD306	5 Way Rectangular	100
PXD301/xxx/07/1	5 Way Rectangular	101
PXD301/xxx/08/1	5 Way Rectangular	101
PXD303/xxx/07/1	5 Way Rectangular	101
PXD303/xxx/08/1	5 Way Rectangular	101
PXD200	4 Way Rectangular	102
PXD201	4 Way Rectangular	102
PXD701	6 Way Square	103
PXD500	6 Way Square	103
PXD703	6 Way Square	103
PXD706	6 Way Square	103

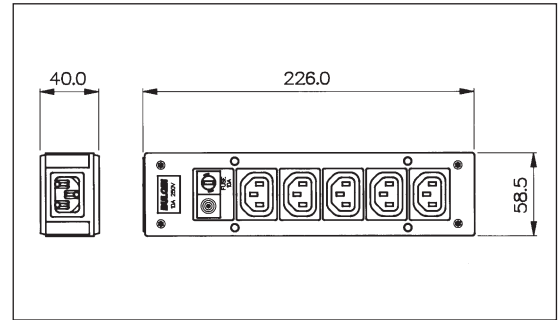
IEC Rectangular Distribution Units

IEC DISTRIBUTION UNIT



PXD301/050/01/1

- Five Shuttered Outlets
- 5 x 20mm Fuseholder
- Neon Indicator
- Filtered or Non-filtered
- EN60320 Inlet
- 10A, 250V a.c.

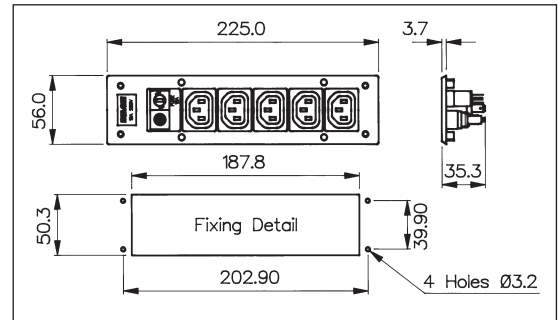


IEC PANEL MOUNT DISTRIBUTION UNIT

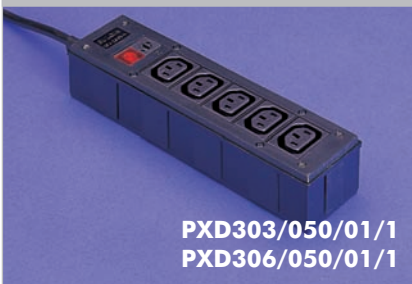


PXD100/050/01/1

- Five Shuttered Outlets
- 5 x 20mm Fuseholder
- Neon Indicator
- Screw Fit to Panel
- 10A, 250V a.c.

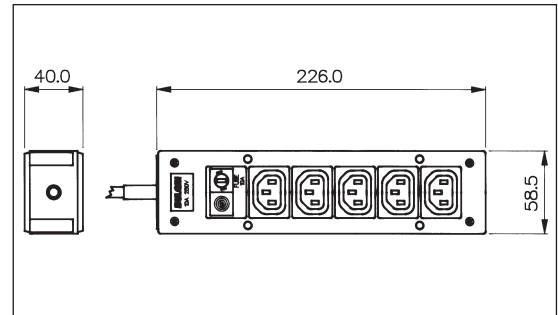


IEC DISTRIBUTION UNIT



PXD303/050/01/1
PXD306/050/01/1

- Five Shuttered Outlets
- 5 x 20mm Fuseholder
- Neon Indicator
- Filtered or Non-filtered
- 2 Metre Cable with BS1363 Plug
- 10A, 250V a.c.



IEC CONNECTORS

Part No.	Inlet	Outlet	EMI Filter	Neon Indicator	Fuse	Illuminated Switch	Approvals
Panel Style:							
PXD100/050/01/1		5 Shuttered		1	1		Ⓢ
Box Style:							
PXD301/050/01/1	1	5 Shuttered		1	1		Ⓢ
PXD301/050/07/1	1	5 Shuttered				Red	
PXD301/050/08/1	1	5 Shuttered				Green	
PXD301/550/01/1	1	5 Shuttered	✓	1	1		Ⓢ
PXD301/550/07/1	1	5 Shuttered	✓			Red	
PXD301/550/08/1	1	5 Shuttered	✓			Green	
PXD303/050/01/1	2m cable with BS1363 plug	5 Shuttered		1	1		
PXD303/050/07/1	2m cable with BS1363 plug	5 Shuttered				Red	
PXD303/050/08/1	2m cable with BS1363 plug	5 Shuttered				Green	
PXD303/550/01/1	2m cable with BS1363 plug	5 Shuttered	✓	1	1		
PXD303/550/07/1	2m cable with BS1363 plug	5 Shuttered	✓			Red	
PXD303/550/08/1	2m cable with BS1363 plug	5 Shuttered	✓			Green	
PXD306/050/01/1	2m cable with CEE7 Sheet VII plug	5 Shuttered		1	1		Ⓢ

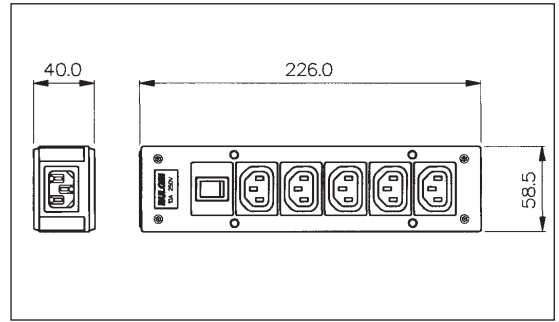
IEC Rectangular Distribution Units

IEC DISTRIBUTION UNIT



PXD301/050/07/1

- Five Shuttered Outlets
- Illuminated Switch
- Filtered or Non-Filtered
- EN60320 Inlet
- 10A, 250V a.c.

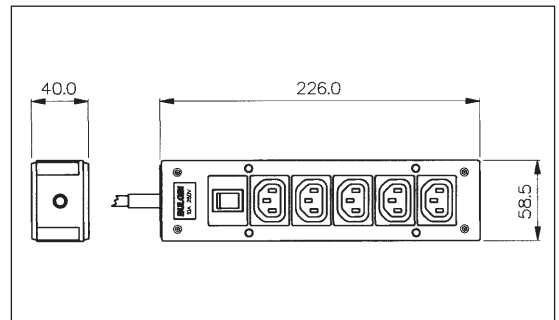


IEC DISTRIBUTION UNIT



PXD303/050/08/1

- Five Shuttered Outlets
- Illuminated Switch
- Filtered or Non-Filtered
- 2m Cable and BS1363 plug
- 10A, 250V a.c.



Specification

Mouldings:	Thermoplastic
Housing:	ABS
Connectors:	Nylon
Contacts:	Outlets: Brass, Tin Plated Inlets: Brass, Nickel Plated
Voltage Rating:	250V a.c. 50/60Hz
Current Rating:	10A
Proof Voltage:	2kV
Temp. Range:	-5°C to +60°C
Mating Connectors:	PX0686, PX0686/SE
RoHS	Compliant

Filter

Max. Earth Leakage Current:	<0.35mA (at 250V, 50Hz)
Capacitor:	2 x 2.2nF (Y), 1 x 15nF (X)
Inductance:	2 x 0.35mH
Fuse:	5 x 20mm, 10A (ceramic HRC type, IEC 127)

IEC Rectangular Distribution Units

COMPACT DISTRIBUTION UNIT



PXD200

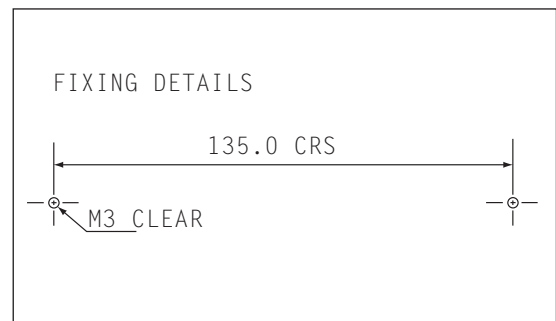
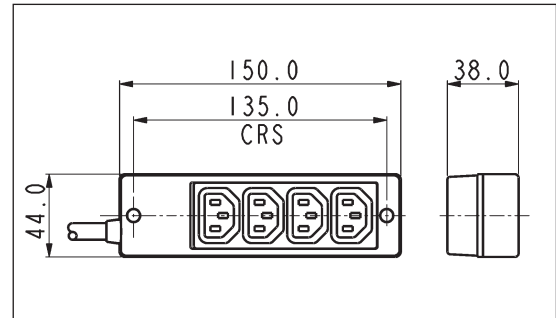
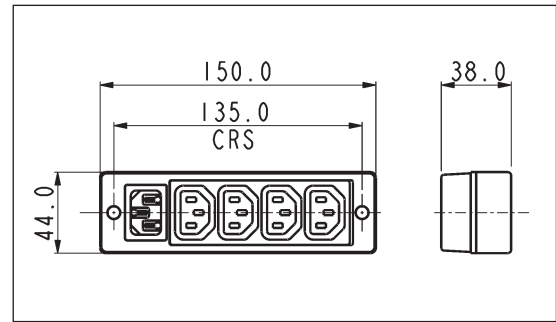
- Four Outlets
- EN60320 Inlet
- 10A, 250V ac
- cULus Approval

COMPACT DISTRIBUTION UNIT



PXD201

- Four Outlets
- 2m Cable with BS1363 connector, Schuko connector (CEE7) or NEMA 5/15 connector
- 10A, 250V a.c.



Specification

Mouldings:	Thermoplastic
Housing:	ABS, UL94V-0
Connectors:	BS1363, CEE7, NEMA 5/15
Contacts:	Outlets: Brass, Tin Plated Inlets: Brass, Nickel Plated
Voltage Rating:	250V a.c. 50/60Hz
Current Rating:	10A
Proof Voltage:	2kV
Temp. Range:	-5°C to +60°C
Approvals:	cULus Listed (PXD200)
RoHS	Compliant

Part No.	Inlet	Outlet
PXD200	1	4
PXD201	2m cable with BS 1363 plug	4
PXD201/1	2m cable with Schuko plug	4
PXD201/2	2m cable with NEMA 5/15	4

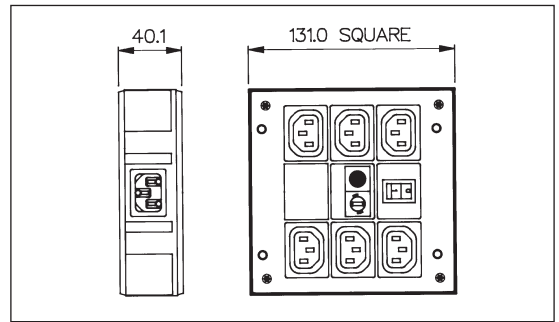
IEC Square Distribution Units

IEC DISTRIBUTION UNIT



PXD701/061/10/1

- Six Shuttered Outlets
- 5 x 20mm Fuseholder
- Filtered or Non Filtered
- Switch, Fuse, Neon Indicator
- With IEC Inlet
- 10A, 250V a.c.

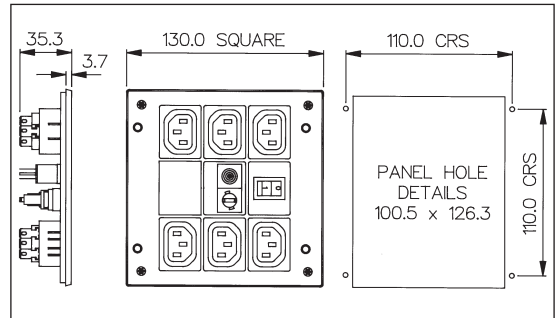


IEC PANEL MOUNT DISTRIBUTION UNIT



PXD500/061/10/1

- Six Shuttered Outlets
- 5 x 20mm Fuseholder
- Switch, Fuse, Neon Indicator
- Screw Fit to Panel
- 10A, 250V

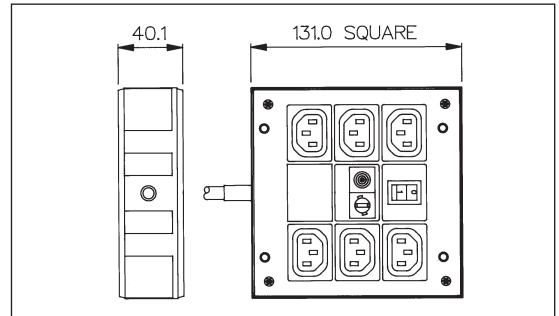


IEC DISTRIBUTION UNIT



PXD703/061/10/1
PXD706/061/10/1

- Six Shuttered Outlets
- 5 x 20mm Fuseholder
- Filtered or Non Filtered
- Switch, Fuse, Neon Indicator
- 2 Metre Cable with BS1363 or CEE7 Plug
- 10A, 250V



Specification		Part No.	Inlet	Outlet	EMI Filter	Switch	Fuse	Neon Indicator
Mouldings:	Thermoplastic	Panel Style:						
Housing:	ABS	PXD500/061/10/1		6 Shuttered		1	1	1
Connectors:	Nylon	Box Style:						
Contacts:	Outlets: Brass, Tin Plated Inlets: Brass, Nickel Plated	PXD701/061/10/1	1	6 Shuttered		1	1	1
Voltage Rating:	250V a.c. 50/60Hz	PXD701/561/10/1	1	6 Shuttered	✓	1	1	1
Current Rating:	10A	PXD703/061/10/1	2m cable with BS 1363 plug	6 Shuttered		1	1	1
Proof Voltage:	2kV	PXD703/561/10/1	2m cable with BS 1363 plug	6 Shuttered	✓	1	1	1
Temp. Range:	-5°C to +60°C	PXD706/061/10/1	2m cable with CEE7 Sheet VII plug	6 Shuttered		1	1	1
RoHS	Compliant							
Filter								

Other configurations available on request.

Max. Earth Leakage Current:	<0.35mA (at 250V, 50Hz)
Capacitor:	2 x 2.2nF (Y), 1 x 15nF (X)
Inductance:	2 x 0.35mH
Fuse:	5 x 20mm, 10A (ceramic HRC type, IEC 127)

